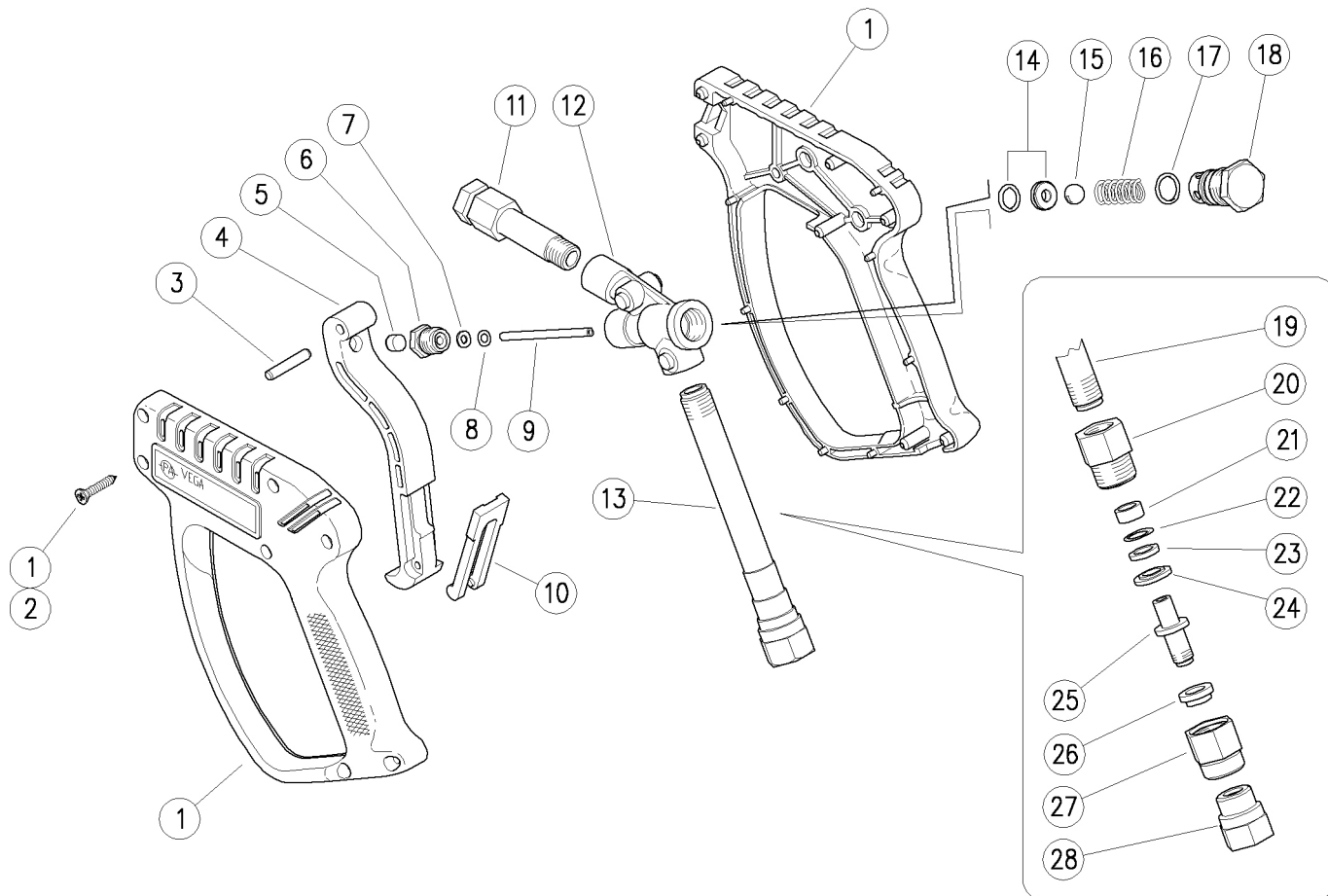


30.2055.00 Vega weep spray gun 3/8-1/4 Bsp FF
30.2055.50 Vega weep.gun 3/8F-1/4F Npt

30.2064.00 Vega weep gun +sw.8 3/8-1/4Bsp FF



Pos.	P/N	Description	Q.ty	K1	K2	K3	K4
1	30.2026.24	Casing-kit -VEGA +screws	1				1
2	16.3075.51	S/tapping scr. 3,5x18 mm sst.	7				10
3	30.2517.31	Parallel pin, 5x27,5 mm brass	1				10
4	30.2506.84	Trigger -RL31, PA black	1				10
5	30.0675.84	Stop pin, 8x7,1mm PA	1				10
6	30.4115.31	Front Plug, M10x1 brass	1				10
7	10.4018.00	Back-up ring, 3,2x7,5x1,2 mm	1	•	•		10
8	10.3165.00	O-ring, 2,62x2,84 mm Vi 70	1	•	•		10
9	30.2007.51	Piston, 3 mm Sst.	1	•	•		10
10	30.1515.84	Safety latch, PA blue	1				10
11	30.2006.35	Front tube, 1/4F Bsp 72 mm brass	1				5
11	30.2008.35	Front tube, 1/4F Npt 72 mm brass (1)	1				10
12	30.2005.35	Housing -VEGA, brass	1				3
13	30.2533.35	Back tube, 3/8F Bsp brass	1				5
13	30.2534.35	Back tube, 3/8F Npt brass (1)	1				5

Pos.	P/N	Description	Q.ty	K1	K2	K3	K4
14	30.1104.20	Seat 6mm, weeping +O-ring	1	•	•	•	10
15	14.7443.10	Ball, 11/32" Sst.	1	•	•		10
16	30.2003.51	Spring, 1,6x7x22 mm Sst.	1				10
17	10.3060.01	O-ring, 1,78x12,42 mm Ni 85	1	•	•		10
18	30.2004.31	Spring holder, M18x1 brass	1				5
19	30.2532.36	Tube, M15 94 mm brass (2)	1				10
20	30.2531.31	Coupl., M20x1 M brass (2)	1	•			5
21	30.0728.84	Bushing, 9x13x6 mm plast. black (2)	1	•	•		10
22	10.3109.93	O-ring, 2,4x8,3 mm Vi 70 (2)	1	•	•		10
23	10.4008.50	Back-up ring, 9x13,2x1,2 mm (2)	1	•	•		10
24	30.0729.31	Spacer ring, 9x19x3 mm brass (2)	1	•			10
25	30.1553.31	Pin -SW, M10x1,25 M brass (2)	1	•			5
26	30.0730.84	Bushing, 10x17x6 mm plast. black (2)	1	•	•		10
27	30.0733.31	Nipple, M20x1 F brass (2)	1	•			5
28	30.3061.31	Coupl., M10x1,25F-3/8F Bsp brass (2)	1	•			5

Kit	P/N	Description	Q.ty
K1	30.1158.24	Spare kit -Vega weep 7x1 pcs	1
K2	30.9326.99	Kit -Sw8, M15F -3/8F Bsp	5
K3	30.2058.24	Spare Kit -Vega weep gun + Sw8, 11x1 pzs	1

(1) 30.2055.50 (2) 30.2064.00